


FRIGIDAIRE®



Built-in **RANGE**

2 *Built-in Range*



A close-up, low-angle shot of the American flag waving against a clear blue sky. The flag's stripes and stars are visible, with the top left corner of the page being a solid black triangle.

Everyone knows, you can't go wrong buying American. The reason is simple; for over a hundred years, American manufacturers focused all their efforts on building strong, sturdy and reliable products. With 100% passion and zero compromise, this dedication to craft has made American brands household names around the world. And at the forefront of those American brands is Frigidaire.



Placing the American family at the center of all they did is what led to this focus on quality. Frigidaire knew that their products were the essentials that all family homes would be built around and they took that responsibility very seriously. Through innovation, dedication to craft and an all American can-do-attitude, Frigidaire became synonymous with longevity and reliability, which put it at the forefront of American brands and a symbol for American manufacturing quality.

4 Built-in Range

FRIGIDAIRE IS
Passionate
**ABOUT MAKING IT
EASIER FOR ALL
FAMILIES TO LIVE
A LITTLE BETTER
EVERY DAY.**

In the past 100 years, we are proud to have become the true, everyday home brand that real families rely on by putting truly helpful innovations within reach.





We have always taken pride in our innovative spirit, from inventing the first home refrigerator to continuously providing the essential household products to help you overcome the challenges in each day. Which means hassle-free, seamless products that save time, give great results and put a smile on your face every single day.

BUILT-IN OVENS *Key Features*

Our built-in oven range are designed to give you maximum versatility in the kitchen. Perfect for when you're cooking up a tasty meal for the family, or putting your favorite recipe to the test.





AIR FRY

Make healthier and delicious food right in your oven. The air fry feature allows you to make healthier, tasty meals for the entire family right in your oven.



PYROLYTIC CLEANING

The self-clean function turns the oven an extremely high temperature, turning grease and grime into ash. All you need to do is simply wipe the residue away.

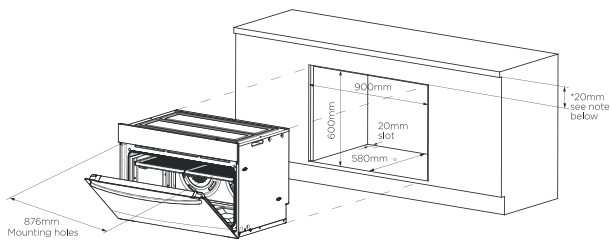


XL TWIN FANS

Our XL twin fans system works to evenly distribute heat throughout the oven, so you can enjoy faster, more even multi-rack baking and delicious results every time.



8 Built-in Range



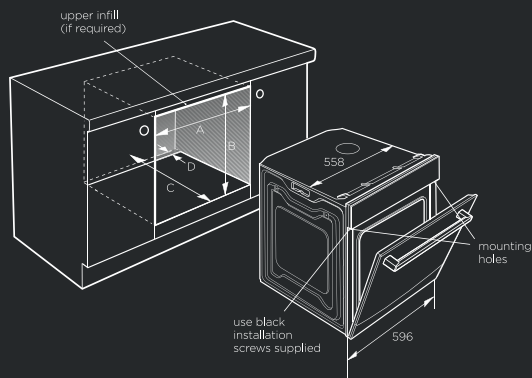
90cm MULTI-FUNCTION PYROLYTIC BUILT-IN OVEN

FRVEP916SC



DIMENSIONS (INSIDE): 870 x 545 x 580mm (WxDxH)

DIMENSIONS (OUTSIDE): 895 x 540 x 597mm (WxDxH)



	A	B	C	D
Flush fit	600	600	581min	20
Proud fit	565	590	560min	20

60cm MULTI-FUNCTION PYROLYTIC BUILT-IN OVEN

FRVEP615SC



DIMENSIONS (INSIDE): 600 x 581 x 600mm (WxDxH)

DIMENSIONS (OUTSIDE): 596 x 572 x 597mm (WxDxH)





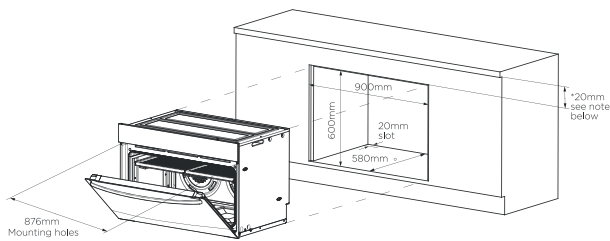
90cm MULTI-FUNCTION BUILT-IN OVEN

FRVE915SCA



DIMENSIONS (INSIDE): 870 x 545 x 580mm (WxDxH)

DIMENSIONS (OUTSIDE): 895 x 540 x 597mm (WxDxH)



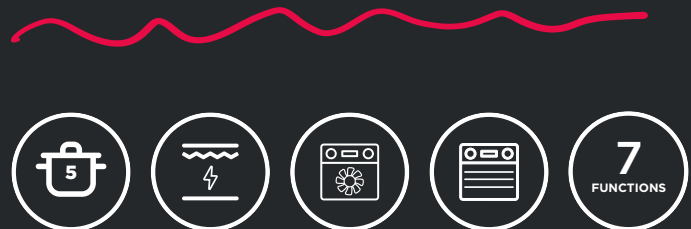
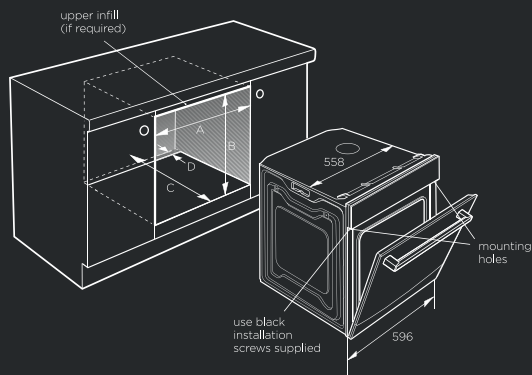
60cm MULTI-FUNCTION BUILT-IN OVEN

FRVE615SC



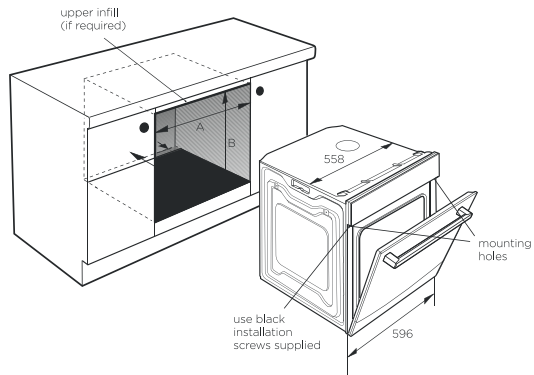
DIMENSIONS (INSIDE): 600 x 581 x 600mm (WxDxH)

DIMENSIONS (OUTSIDE): 596 x 572 x 597mm (WxDxH)



	A	B	C	D
Flush fit	600	600	581min	20
Proud fit	565	590	560min	20

10 Built-in Range



	A	B	C	D
Flush fit	600	600	581min	20
Proud fit	565	590	560min	20

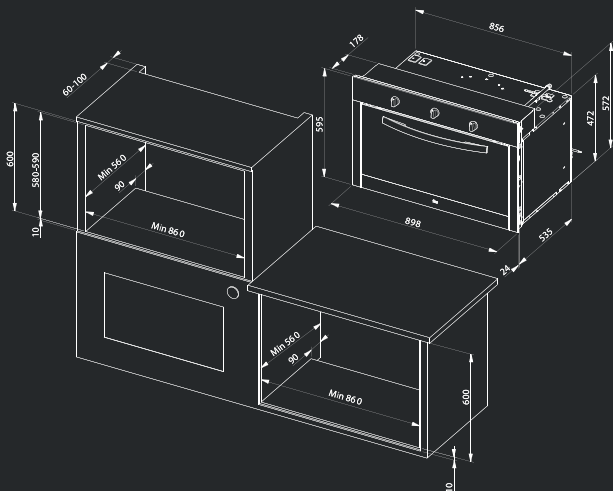
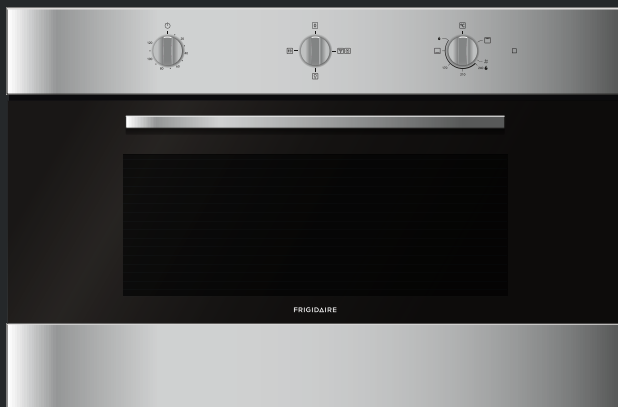
60cm MULTI-FUNCTION BUILT-IN OVEN

FRVE614SC



DIMENSIONS (INSIDE): 600 x 581 x 600mm (WxDxH)

DIMENSIONS (OUTSIDE): 596 x 572 x 597mm (WxDxH)



90cm GAS BUILT-IN OVEN

FRG912SC



DIMENSIONS (INSIDE): 870 x 545 x 580mm (WxDxH)

DIMENSIONS (OUTSIDE): 895 x 540 x 597mm (WxDxH)



BAKED TO *Perfection*

With SteamBake, you can have your own home bakery with crunchy crusts and fluffy insides at the touch of a button.



12 Built-in Range



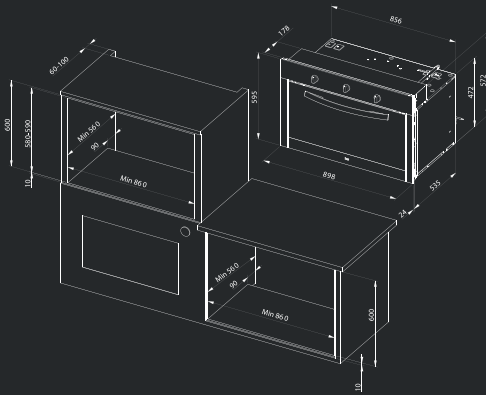
90cm GAS BUILT-IN OVEN

FRG912SC



DIMENSIONS (INSIDE): 860 x 560 x 575mm (WxDxH)

DIMENSIONS (OUTSIDE): 898 x 569 x 594mm (WxDxH)

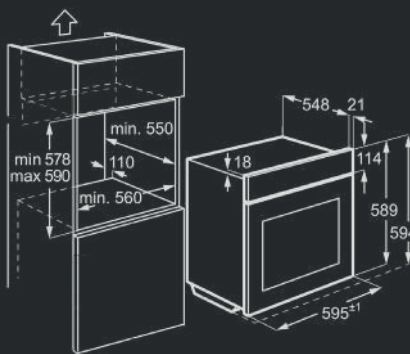


ENOUGH
ROOM
FOR THE
WHOLE

Family



Up your mealtime game,
more capacity means
more food in less time.



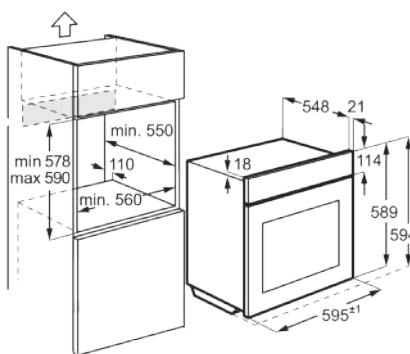
60cm GAS BUILT-IN OVEN

FRG612SC



DIMENSIONS (INSIDE): 560 x 550 x 600mm (WxDxH)

DIMENSIONS (OUTSIDE): 594 x 569 x 594mm (WxDxH)



60cm GAS BUILT-IN OVEN

FRG612SC



DIMENSIONS (INSIDE): 600 x 581 x 600mm (WxDxH)

DIMENSIONS (OUTSIDE): 596 x 572 x 597mm (WxDxH)



BUILT-IN HOBS *Key Features*

Our wide range of premium induction, electric and gas kitchen hobs combine stylish good looks with practical features to help you cook with ease and confidence everyday.





POWERBOOST

Rapidly boil a pot of water or quickly heat up a frying pan. Spend less time waiting and more time creating your favorite meals.



CAST IRON SUPPORT

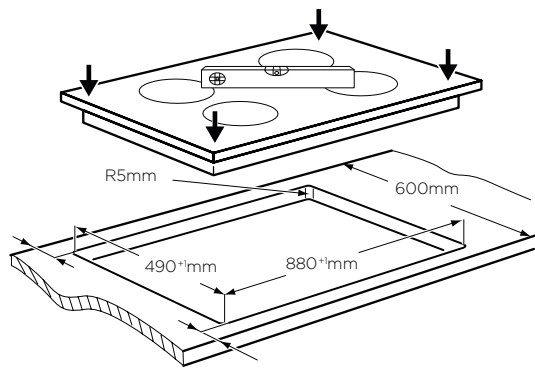
Our cast iron flat design ensures the base of your pots and pans are fully supported, allowing you to have a safe and stable cooking environment.



HOB SAFETY

Kitchen safety comes before everything else. Our hot surface indicators clearly show if the hotplates are activated or still cooling down.

16 Built-in Range



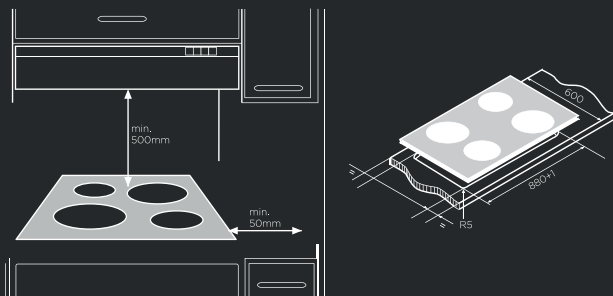
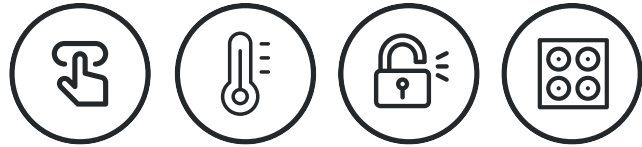
90cm INDUCTION HOB

FRI943BC



DIMENSIONS (INSIDE): 880 x 490 x 51mm (WxDxH)

DIMENSIONS (OUTSIDE): 900 x 515 x 4mm (WxDxH)



90cm RADIANT HOB

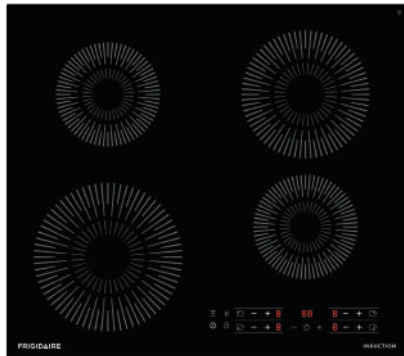
FRC943BC



DIMENSIONS (INSIDE): 880 x 490 x 50mm (WxDxH)

DIMENSIONS (OUTSIDE): 900 x 520 x 4mm (WxDxH)





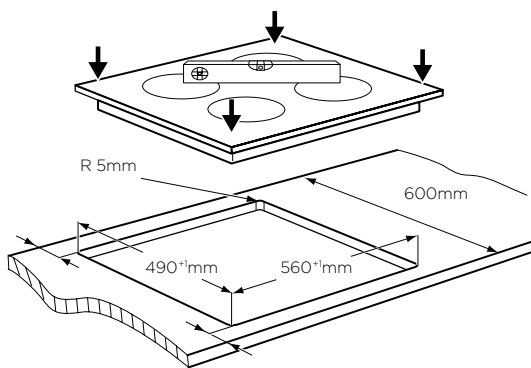
60cm INDUCTION HOB

FRI643BC



DIMENSIONS (INSIDE): 560 x 490 x 51mm (WxDxH)

DIMENSIONS (OUTSIDE): 590 x 520 x 4mm (WxDxH)



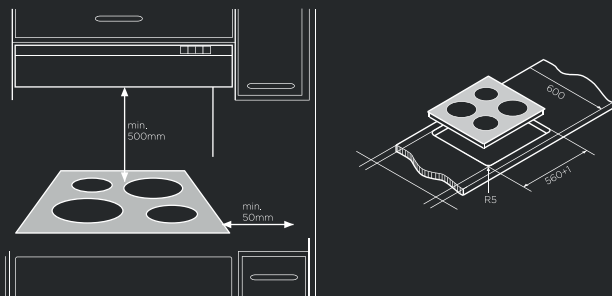
60cm RADIANT HOB

FRC643BC

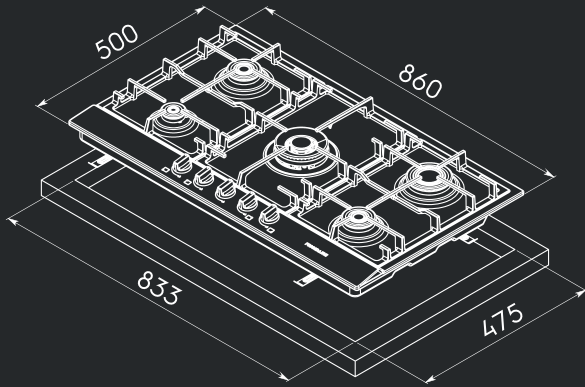
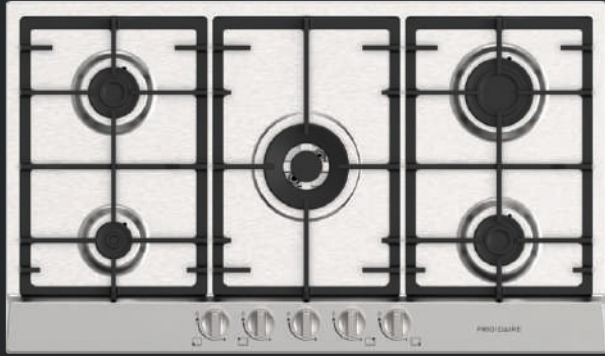


DIMENSIONS (INSIDE): 560 x 490 x 46mm (WxDxH)

DIMENSIONS (OUTSIDE): 590 x 520 x 4mm (WxDxH)



18 Built-in Range



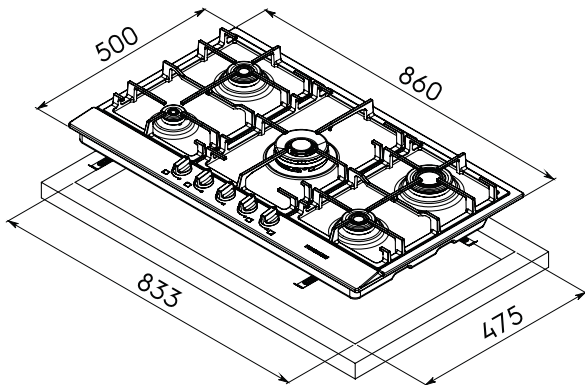
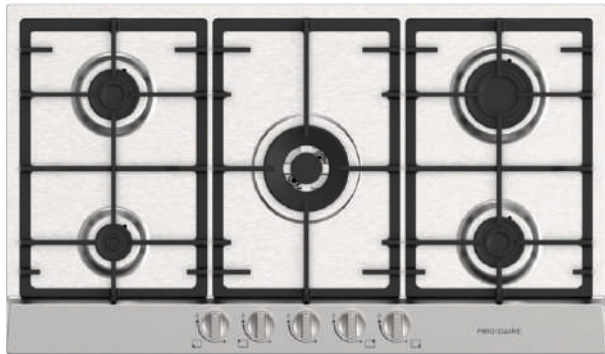
90cm GAS HOB

FGH96524XS



DIMENSIONS (INSIDE): 884 x 475 x 30mm (WxDxH)

DIMENSIONS (OUTSIDE): 860 x 500 x 4mm (WxDxH)



90cm GAS HOB

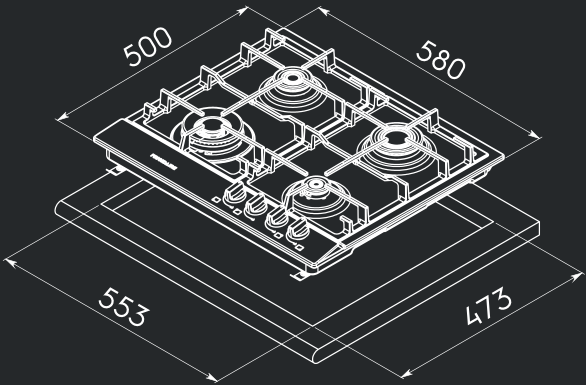
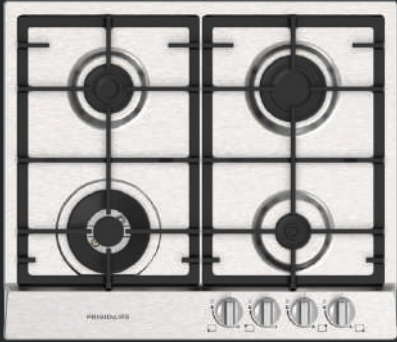
FGH96524XS



DIMENSIONS (INSIDE): 833 x 475 x 30mm (WxDxH)

DIMENSIONS (OUTSIDE): 860 x 500 x 4mm (WxDxH)





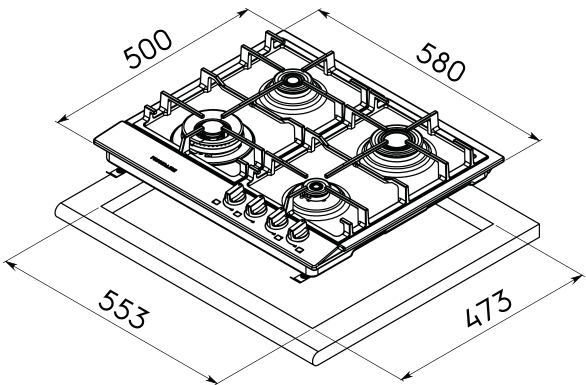
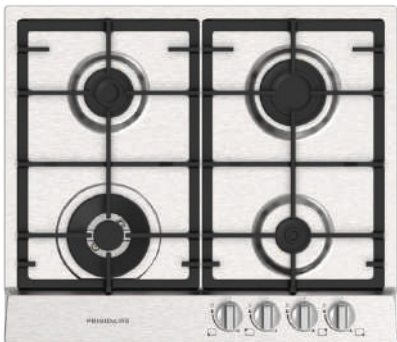
60cm GAS HOB

FGH66524XS



DIMENSIONS (INSIDE): 553 x 473 x 30mm (WxDxH)

DIMENSIONS (OUTSIDE): 580 x 500 x 4mm (WxDxH)



60cm GAS HOB

FGH66524XS



DIMENSIONS (INSIDE): 553 x 473 x 30mm (WxDxH)

DIMENSIONS (OUTSIDE): 580 x 500 x 4mm (WxDxH)



BUILT-IN HOODS

Key Features

Ensure fast and effective ventilation with the quietest possible, high-speed extraction. With a range of stylish and functional designs our hoods will integrate beautifully with your kitchen allowing you to hear yourself think while you prepare your favorite dishes.





HIGH AIR FLOW RATE

Powerful extraction rates ensuring your kitchen is clear of cooking odors, vapors and excess heat in no time at all.



TWIN BLADE MOTOR

A powerful twin blade motor ensures maximum extraction of unwanted steam and vapors from cooking.

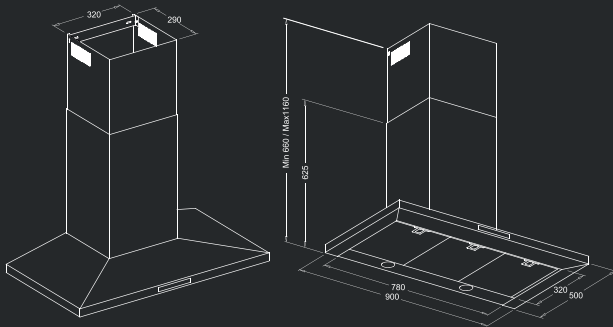


EASY CLEAN FILTERS

For ease and convenience, our easily removed aluminum micro-mesh filters can simply be washed safely in your dishwasher or handwashed.



22 Built-in Range

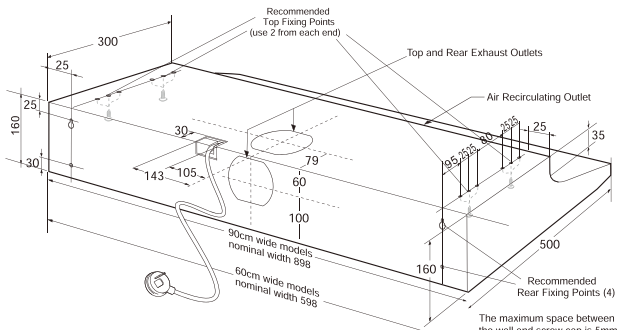


90cm CHIMNEY BUILT-IN HOOD

FRC914SC



DIMENSIONS: 900 x 500 x 660/1160mm (WxDxH)



90cm TRADITIONAL BUILT-IN HOOD

FRF910SA



DIMENSIONS (INSIDE): 898 x 500 x 160mm (WxDxH)

DIMENSIONS (OUTSIDE): 900 x 500 x 160mm (WxDxH)



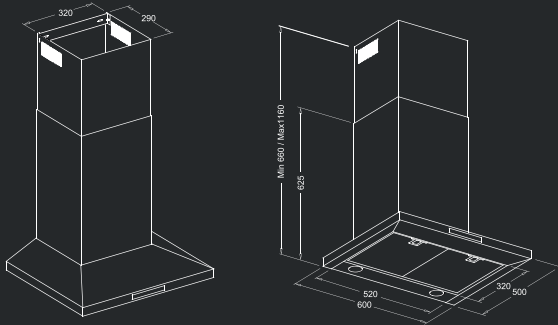


60cm CHIMNEY BUILT-IN HOOD

FRC614SC



DIMENSIONS: 600 x 500 x 660/1160mm (WxDxH)



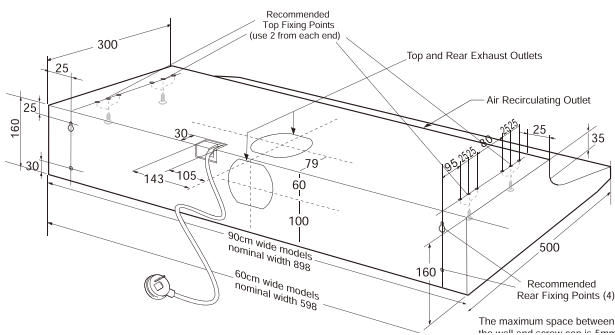
60cm TRADITIONAL BUILT-IN HOOD

FRF610SA

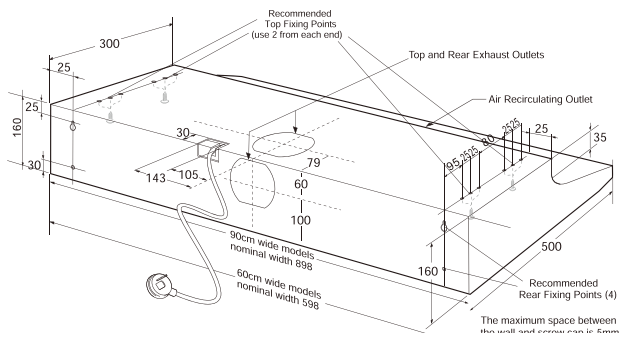


DIMENSIONS (INSIDE): 598 x 500 x 160mm (WxDxH)

DIMENSIONS (OUTSIDE): 600 x 500 x 160mm (WxDxH)



24 Built-in Range



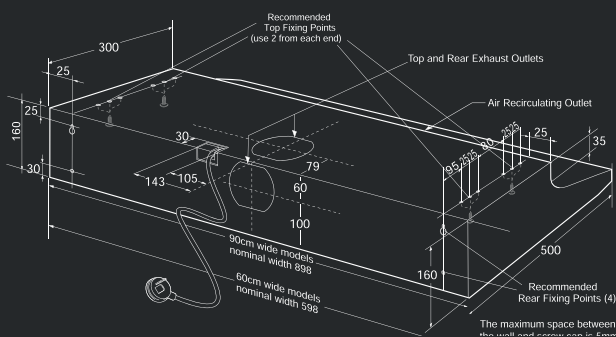
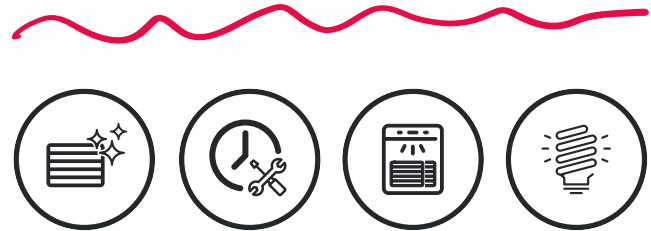
90cm TRADITIONAL BUILT-IN HOOD

FRF910SA



DIMENSIONS (INSIDE): 898 x 500 x 160mm (WxDxH)

DIMENSIONS (OUTSIDE): 900 x 500 x 160mm (WxDxH)



60cm TRADITIONAL BUILT-IN HOOD

FRF610SA



DIMENSIONS (INSIDE): 598 x 500 x 160mm (WxDxH)

DIMENSIONS (OUTSIDE): 600 x 500 x 160mm (WxDxH)





Attractive
**AS IT IS
FUNCTIONAL**

26 Built-in Range



30M BAR



50M BAR



3 STEP RESIDUAL HEAT



5 COOKING FUNCTIONS



125L CAPACITY



AIR FRY



ANTI-FINGERPRINT



CAST IRON PAN SUPPORT



CERAMIC GLASS SURFACE



CHILD-LOCK



COOKING FAN



DISHWASHER SAFE



EASY INSTALLATION



ELECTRICAL GRILL



ENERGY EFFICIENT LEDS



GAS GRILL



HIGH AIR FLOW RATE



HOB SAFETY



OVEN SAFETY



POWERBOOST



POWERFUL WOK BURNER



PYROLYTIC CLEANING



ROTESSEIRE TURNSPIT



TELESCOPIC RUNNERS



TOUCH CONTROL



TOUCH ON GLASS



TWIN COOKING FAN



WASHABLE FILTERS



28 Built-in Range



**90CM MULTI-FUNCTION
PYROLYTIC BUILT-IN OVEN**



**90CM MULTI-FUNCTION
BUILT-IN OVEN**



**60CM MULTI-FUNCTION
PYROLYTIC BUILT-IN OVEN**



**60CM MULTI-FUNCTION
BUILT-IN OVEN**



**60CM GAS
BUILT-IN OVEN**

Model code	FRVEP916SC	FRVE915SCA	FRVEP615SC	FRVE615SC	FRG612SC
Energy type	Electric	Electric	Electric	Electric	LPG (G30/31), G20 (2E) 20 mbar
Cavity capacity (l)	125	125	80	80	72
Temperature control range (°C)	60-250	60-250	60-250	60-250	50-250
Accessories included	1 Airfry tray, 1 black enamel cake tray, 2 stainless steel wirework flat shelf	1 black enamel deep dripping pan, 2 stainless steel wirework flat shelf	1 aluminium cake tray, 1 black enamel dripping pan, 1 grid chromed wirework grill pan, 2 chromed wirework flat shelf	1 aluminium cake tray, 1 black enamel dripping pan, 1 grid chromed wirework grill pan, 2 chromed wirework flat shelf	1 clean enamel dripping pan, 1 chromed wirework grill pan grid
Frequency (hz)	50/60	50/60	50/60	50/60	50/60
Voltage (v)	220-240	220-240	220-240	220-240	220-240
Total power (w)	3600	3600	3100	3100	70
Inside dimensions (mm - wxdxh)	870 x 545 x 580m	870 x 545 x 580	600 x 581 x 600	600 x 581 x 60	560 x 550 x 600
Outside dimensions (mm - wxdxh)	895 x 540 x 597	895 x 540 x 597	596 x 572 x 597	596 x 572 x 597	594 x 569 x 594
Net weight (kg)	58	53	42	42	27.5
No. Of functions	10	9	10	7	4
User interface operation	Knob & touch	Full touch	Knob & touch	Knob & touch	Knob
Main colour	Stainless steel with antifingerprint	Stainless steel with antifingerprint	Stainless steel with antifingerprint	Stainless steel with antifingerprint	Stainless steel with antifingerprint
Door type	4 Glasses	3 Glasses	4 Glasses	3 Glasses	2 Glasses
Door hinges	Drop down equilibrated, drop down removable	Drop down equilibrated, drop down removable	Drop down equilibrated, drop down removable	Drop down equilibrated, drop down removable	Drop down equilibrated, drop down removable
Thermostat	Top	Top	Top	Top	Top
Timer control	Analog with end of cooking		Analog with end of cooking	Analog with end of cooking	Mechanical minute minder
Programming possibilities	Acoustic signal, end, minute minder	20 memory programmes	Acoustic signal, end, minute minder	Acoustic signal, end, minute minder	Acoustic signal, end, minute minder
Heating function	Hot air 1.10	Hot air 1.11	Hot air 1.10	Hot air 1.7	
Cooking elements	Bottom, fan, grill, grill + fan, grill + top, ring + bottom, ring + fan, top + bottom, top + bottom + fan	Fan + acc (fs), Fan + bottom + steam (100), Fan + ring + top (alter) + bottom (alter)	Bottom, fan, grill, grill + fan, grill + top, ring + bottom, ring + fan, top + bottom, top + bottom + fan	Bottom, fan, grill, grill + fan, ring + bottom, ring + fan, top + bottom	Bottom, grill, light
Cooking functions	Bottom heat, conventional/traditional cooking, defrost, fan cooking, fast grilling, fast heat up optional, grilling, pizza setting, true fan cooking, turbo grilling	Bottom heat, conventional baking, fan cooking, fast heat up, grilling, moist fan baking, pizza setting, true fan cooking, turbo grilling	Bottom heat, conventional/traditional cooking, defrost, fan cooking, fast grilling, fast heat up optional, grilling, pizza setting, true fan cooking, turbo grilling	Conventional/traditional cooking, defrost, fan cooking, fast grilling, fast heat up, grilling, pizza setting, true fan cooking	Bottom heat, grilling, light, turnspit
Runners	Grid runner, telescopic	Grid runners	Grid runner, telescopic	Grid runner, telescopic	Grid runner
Cavity material	Clean enamel	Clean enamel	Clean enamel	Clean enamel	Grey enamel
Oven light	2, side halogen	2, back halogen	1, rear	1, rear	1, top
Grill type	Electrical	Electrical	Electrical	Electrical	Gas
Turnspit	No	No	No	No	Yes
Meat probe	No	No	No	No	No
Cooking levels	5	5	4	4	4
Shelf positions	5	5	5	5	5
Oven safety	No	No	No	No	Yes
Largest surface area (cm²)	2870	2870	N/A	N/A	N/A
Environmental label	Yes	Yes	Yes	Yes	Yes
Cooling fan	Yes	Yes	Yes	Yes	Yes
Smoke exhaust	Front	Front	Front	Front	Front

Oven Specifications 29



**60CM MULTI-FUNCTION
BUILT-IN OVEN**

**90CM GAS
BUILT-IN OVEN**

**90CM GAS
BUILT-IN OVEN**

**60CM GAS
BUILT-IN OVEN**

FRVE614SC	FRG912SC	FRG912SC	FRG612SC	رقم الطراز
Electric	LPG (G30/31), G30 50mBar	LPG (G30/31), G28-30 28-30/37mBar	LPG (G30/31), G30 50mBar	نوع الطاقة
80	88	88	72	سعة الفرن
60- 250	50-250	50-250	50-250	نطاق التحكم في درجة الحرارة
1 aluminium cake tray, 1 black enamel dripping pan, 1 grid chromed wirework grill pan, 2 chromed wirework flat shelf	1 clean enamel dripping pan, 1 grid chromed wirework grill pan	1 clean enamel dripping pan, 1 chromed wirework grill pan grid	1 dripping pan clean enamel, 1 grill pan grid chromed wirework	ملحقات إضافية
50/60	50/60	50/60	50/60	التردد (Hz)
220-240	220-240	220-240	220-240	الجهد (V)
2300	108	108	70	الطاقة الإجمالية (القوة الكهربائية)
600 x 581 x 600	870 x 545 x 580	860 x 560 x 575	560 x 550 x 600	الأبعاد الداخلية
596 x 572 x 597	895 x 540 x 59	898 x 569 x 594	594 x 569 x 594	الأبعاد الخارجية
42	42	42	27.5	الوزن الصافي (كجم)
5	5	5	4	عدد الوظائف
Knob	Knob	Knob	Knob	واجهة المستخدم
Stainless steel with antifingerprint	Stainless steel with antifingerprint	Stainless steel with antifingerprint	Stainless steel with antifingerprint	اللون الرئيسي
3 Glasses	4 Glasses	2 Glasses	2 Glasses	نوع الباب
Drop down equilibrated, drop down removable	Drop down equilibrated, drop down removable	Drop down equilibrated, drop down removable	Drop down equilibrated, drop down removable	مفصلات الباب
Top	Top	Top	Top	منظم الحرارة
Analog with end of cooking	Analog with end of cooking	Mechanical minute minder	Mechanical minute minder	تحكم المؤقت
Acoustic signal, end, minute minder	Acoustic signal, end, minute minder	Acoustic signal, end, minute minder	Acoustic signal, end, minute minder	إمكانيات البرمجة
Hot air 1.7	Hot air 1.10			تدفئة
Bottom, Fan, Grill, Grill + fan, Ring + bottom, ring + fan, top + bottom	Bottom, fan, grill, grill + fan, grill + top, ring + bottom, ring + fan, top + bottom, top + bottom + fan	Bottom, fan, fan + bottom, grill, grill + turnspit, light	Bottom, grill, light	عناصر الطهي
Grill, fan grill, defrost, light, fan forced cooking	Bottom heat, conventional/traditional cooking, defrost, fan cooking, fast grilling, fast heat up optional, grilling, pizza setting, true fan cooking, turbo grilling	Bottom heat, defrost, fan cooking, grilling, grilling with turnspit, light	Bottom heat, grilling, light, turnspit	وظائف الطهي
Grid runner, telescopic	Grid runner, telescopic	Grid runner	Grid runner	الإمتداد
Clean enamel	Clean enamel	Grey enamel	Grey enamel	مادة التجويف
1, Rear	2, side halogen	2, right & left	1, top	ضوء الفرن
Electrical	Electrical	Gas	Gas	نوع الشواية
No	No	Yes	Yes	السيخ الدوار
No	No	No	No	مسيار اللحم
4	5	4	4	مستويات الطهي
5	5	5	5	مواقع الرفوف
No	No	Yes	Yes	سلامة الفرن
N/A	2870	N/A	N/A	أكبر سطح
Yes	Yes	Yes	Yes	العلامة البيئية
Yes	Yes	Yes	Yes	مروحة التبريد
Front	Front	Front	Front	عادم الدخان

30 Built-in Range



90CM INDUCTION HOB



60CM INDUCTION HOB



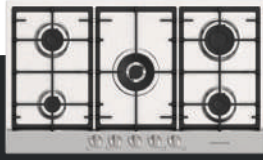
90CM RADIANT HOB



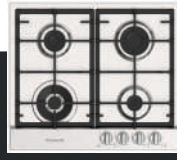
60CM RADIANT HOB

Model code	FRI943BC	FRI643BC	FRC943BC	FRC643BC
Energy type	Electric	Electric	Electric	Electric
Number of cooking zones	4	4	4	4
Frequency (hz)	50/60	50/60	50/60	50/60
Voltage (v)	220-240	220-240	220-240	220-240
Total power (w)	6500	6500	6500	6500
Inside dimensions (mm - wxdxh)	880 x 490 x 51	560 x 490 x 51	880 x 490 x 50	560 x 490 x 46
Outside dimensions (mm - wxdxh)	900 x 515 x 4	590 x 520 x 4	900 x 520 x 4	590 x 520 x 4
Net weight (kg)	13.5	10.5	12.3	8
Main colour	Ceramic glass, black	Ceramic glass, black	Ceramic glass, black	Ceramic glass, black
User interface	Touch control	Touch control	Touch control	Touch control
Timer Color	Red	Red	Red	Red
Basic Color	Black	Black	Black	Black
Control Illuminated	7 segments	7 segments	7 segments	7 segments
Control Type	9 steps	9 steps	9 steps	9 steps
Control Functions	3 step residual heat, automatic heating-up, child-lock, hob-hood connection, minute minder, pause, pot detection, timer	3 step residual heat, automatic heating-up, child-lock, hob-hood connection, minute minder, pause, pot detection, timer	3 step residual heat, automatic heating-up, child-lock, minute minder, pause, timer	3 step residual heat, automatic heating-up, child-lock, minute minder, pause, timer
Hob Type	Induction, full	Induction, full	Radiant	Radiant
Left Rear: Power (w) + Diameter (mm)	1400/2500W/210mm	1400/2500W/210mm	1200W/145mm	1200W/145mm
Left Front: Power (w) + Diameter (mm)	2300/3200W/145mm	2300/3200W/145mm	800/1600/2300W/120/180/210mm	800/1600/2300W/120/180/210mm
Middle: Power (w) + Diameter (mm)	N/A	N/A	N/A	N/A
Right Rear: Power (w) + Diameter (mm)	1800/2800W/180mm	1800/2800W/180mm	1200W/145mm	1200W/145mm
Right Front: Power (w) + Diameter (mm)	1400/2500W/145mm	1400/2500W/145mm	1800/180mm	1800/180mm
Child Lock	Yes	Yes	Yes	Yes
Hob Safety	No	No	No	No
Residual Heat Indicator	Yes	Yes	Yes	Yes

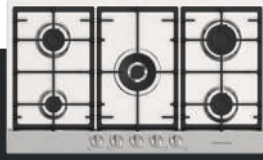
Hob Specifications 31



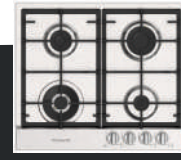
90CM GAS HOB



60CM GAS HOB



90CM GAS HOB



60CM GAS HOB

رقم الطراز	FGH96524XS	FGH6654XS	FGH96524XS	FGH6654XS
نوع الطاقة	LPG, G30/G31 (3B/P) 50/50 mbar	LPG, G30/G31 (3B/P) 50/50 mbar	G30/G31 (3B/P) 30/30 mbar	G30/G31 (3B/P) 30/30 mbar
عدد مناطق الطهي	5	4	5	4
التردد (hz)	50/60	50/60	50/60	50/60
الجهد (v)	230	230	230	230
الطاقة الإجمالية (القوة الكهربائية)	N/A	N/A	N/A	N/A
الأبعاد الداخلية	884 x 475 x 30	553 x 473 x 30	833 x 475 x 30	553 x 473 x 30
الأبعاد الخارجية	860 x 500 x 4	580 x 500 x 4	860 x 500 x 4	580 x 500 x 4
الوزن الصافي (كجم)	12.3	8.75	12.3	8.75
اللون الرئيسي	Stainless steel, anti fingerprint	Stainless steel, anti fingerprint	Stainless steel, anti fingerprint	Stainless steel, anti fingerprint
واجهة المستخدم	Knob	Knob	Knob	Knob
لون المؤقت	N/A	N/A	N/A	N/A
اللون الأساسي	Stainless steel, anti fingerprint	Stainless steel, anti fingerprint	Stainless steel, anti fingerprint	Stainless steel, anti fingerprint
إنارة التحكم	N/A	N/A	N/A	N/A
نوع التحكم	N/A	N/A	N/A	N/A
وظائف التحكم	Integrated ignition, rotary knobs	Integrated ignition, rotary knobs	Integrated ignition, rotary knobs	Integrated ignition, rotary knobs
نوع الموقد	Gas	Gas	Gas	Gas
الجزء الخلفي الأيسر، القوة (القوة الكهربائية) + القطر (مم)	Semi rapid burner, 1750W	Semi rapid burner, 1750W	Semi rapid burner, 1750W	Semi rapid burner, 1750W
الجبحة اليسرى، القوة (القوة الكهربائية) + القطر (مم)	Auxiliary burner, 1000W	Dual crown burner, 3100W	Auxiliary burner, 1000W	Dual crown burner, 3100W
الوسط، الطاقة (القوة الكهربائية) + القطر (مم)	Dual crown burner, 3100	N/A	N/A	N/A
الخلفية اليمنى، القوة (القوة الكهربائية) + القطر (مم)	Rapid burner, 2800W	Rapid burner, 2800W	Rapid burner, 2800W	Rapid burner, 2800W
الجبحة اليمنى، القوة (القوة الكهربائية) + القطر (مم)	Semi rapid burner, 1750W	Auxiliary burner, 1000W	Semi rapid burner, 1750W	Auxiliary burner, 1000W
قفل الأطفال	No	No	No	No
أمان الموقد	Yes	Yes	Yes	Yes
مؤشر الحرارة المتبقية	No	No	No	No

32 Built-in Range



**90CM CHIMNEY
BUILT-IN HOOD**



**60CM CHIMNEY
BUILT-IN HOOD**



**90CM TRADITIONAL
BUILT-IN HOOD**



**60CM TRADITIONAL
BUILT-IN HOOD**

Model code	FRC914SC	FRC614SC	FRF910SA1	FRF610SA
Energy type	Electric	Electric	Electric	Electric
Accessories included	Aluminium mesh filter	Aluminium mesh filter	Aluminium mesh filter	Aluminium mesh filter
Frequency (hz)	50/60	50/60	60	60
Voltage (v)	220-240	220-240	220-240	220-240
Total wattage (w)	205 /178	205 (60Hz), 178 (50Hz)	108	108
Inside dimensions (mm - wxdxh)	900 x 500 x 660/1160	600 x 500 x 660/1160	898 x 500 x 160	598 x 500 x 160
Outside dimensions (mm - wxdxh)	N/A	N/A	900 x 500 x 160	600 x 500 x 160
Net weight (kg)	19.4	14.1	8.8	7.3
Main color	Stainless steel	Stainless steel	Stainless steel	Stainless steel
User interface operation	Touch on glass	Touch on glass	Push button, mechanical	Push button, mechanical
Speed control	3	3	3	3
Motor type	Standard ac motor	Standard AC motor	Standard AC motor	Standard AC motor
Ventilation type	Extraction, recyle	Extraction, recyle	Extraction, recyle	Extraction, recyle
Lamp, no of	2	2	2	2
Lamp type	Led bulb	LED bulb	LED bulb	LED bulb
Light temperature (k)	5500	5500	2700	2700
Max. Air flow, m³/h	670 (50hz), 644 (60hz)	661 (50Hz), 641 (60Hz)	189	189
Noise (dba)	65/51 (Max/miin)	65/51 (max/miin)	58/50 (max/min)	59/49 (max/min)
Grease filter, no of	3	2	3	2
Filter type	5 Layer aluminium mesh, cassette type	5 Layer aluminium mesh, cassette type	4 layer aluminum mesh	4 layer aluminum mesh
Carbon filter	Available as accessory	Available as accessory	Available as accessory	Available as accessory
Carbon filter type	Carbon particles	Carbon particles	Carbon particles	Carbon particles
Washable filters	Yes	Yes	Yes	Yes
Dishwasher safe	Yes	Yes	Yes	Yes
Auto-off timer	Yes	Yes	No	No
Filter check	Yes	Yes	No	No



**90CM TRADITIONAL
BUILT-IN HOOD**



**60CM TRADITIONAL
BUILT-IN HOOD**

FRF910SA	FRF610SA	رقم الطراز
Electric	Electric	نوع الطاقة
Aluminium mesh filter	Aluminium mesh filter	ملحقات إضافية
50	50	التردد (Hz)
220-240	220-240	الجهد (V)
108	108	الطاقة الإجمالية (القوة الكهربائية)
898 x 500 x 160	598 x 500 x 160	الأبعاد الداخلية
900 x 500 x 160	600 x 500 x 160	الأبعاد الخارجية
8.8	7.3	الوزن الصافي (كجم)
Stainless steel	Stainless steel	اللون الرئيسي
Push button, mechanical	Push button, mechanical	واجهة المستخدم
3	3	التحكم في السرعة
Standard AC motor	Standard AC motor	نوع المحرك
Extraction, recyle	Extraction, recyle	نوع التهوية
2	2	عدد المصابيح
LED bulb	LED bulb	نوع المصباح
2700	2700	درجة حرارة خفيفة (ك)
189	189	الحد الأقصى لتدفق الهواء، م ³ /س
58/50 (max/min)	59/49 (max/min)	ضوضاء (دبا)
3	2	عدد فلاتر الدهون
4 layer aluminum mesh	4 layer aluminum mesh	نوع الفلتر
Available as accessory	Available as accessory	فلتر الكربون
Carbon particles	Carbon particles	نوع فلتر الكربون
Yes	Yes	فلتر قابل للغسل
Yes	Yes	أمنة لغسالة الصحون
No	No	مؤقت إيقاف التشغيل التلقائي
No	No	فحص الفلتر

34 Built-in Range





36 نشأة العلامة التجارية



ضغط 30م



مصابيح LED الموفرة للطاقة



ضغط 50م



شواية غاز



مؤشر للحرارة



معدل تدفق هواء مرتفع



5 وظائف للطهي



أمان الموقد



سعة 125 لتر



أمان الفرن



القلي بالهواء



معزز الطاقة



مقاوم للبصمات



شعل ووك قوية



منصب الحديد الزهر



التنظيف بالتحلل الحراري



سطح زجاجي من السيراميك



سيخ الشوي الدوار



قفل الأطفال



جرارات السحب



مروحة الطبخ



التحكم باللمس



أمنة لغسالة الصحون



التحكم باللمس على الزجاج



سهولة التركيب



مروحة الطبخ المزدوجة



شواية كهربائية



فلتر قابلة للغسل

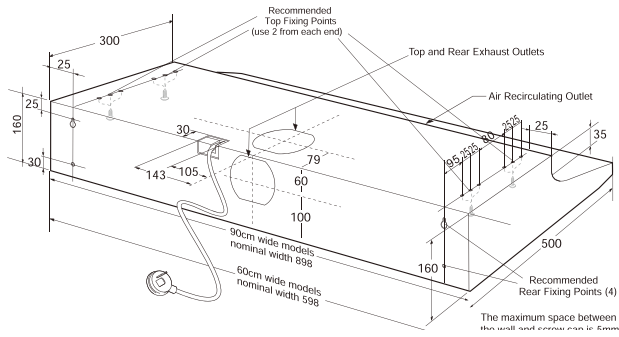


نشأة العلامة التجارية 38



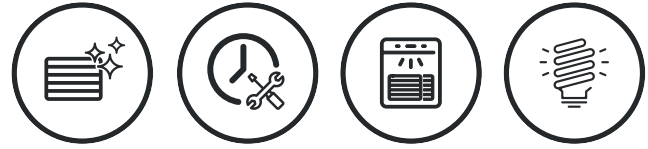
90 سم شفاط مدمج

FRF910SA



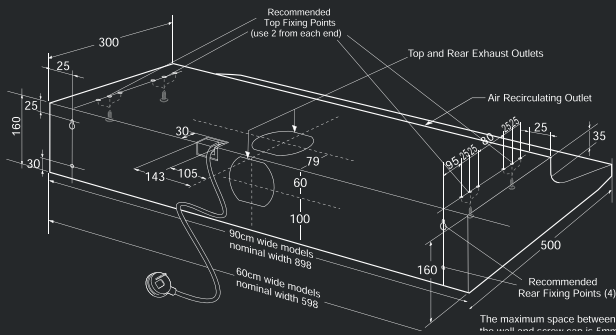
الأبعاد (داخلية): 898 x 500 x 160mm (WxDxH)

الأبعاد (خارجية): 900 x 500 x 160mm (WxDxH)



60 سم شفاط مدمج

FRF610SA



الأبعاد (داخلية): 598 x 500 x 160mm (WxDxH)

الأبعاد (خارجية): 600 x 500 x 160mm (WxDxH)





جذابة
وعملية

نشأة العلامة التجارية 40

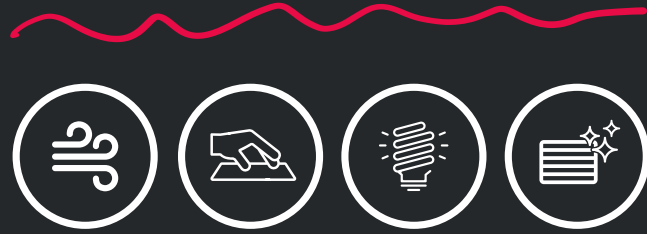
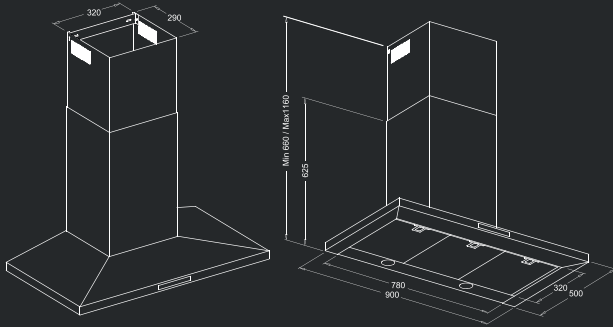


90 سم شفاط بمدخنة مدمج

FRC914SC



DIMENSIONS: 900 x 500 x 660/1160mm (WxDxH)



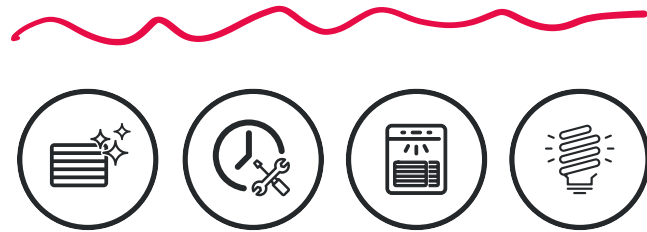
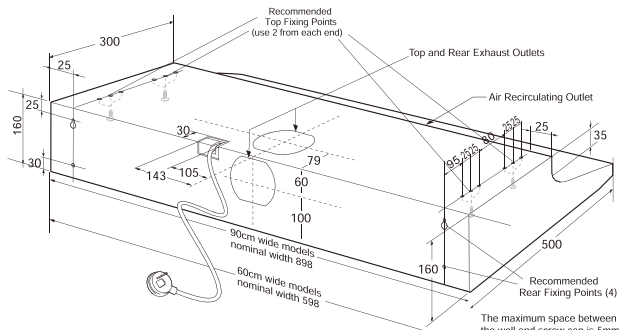
90 سم شفاط مدمج

FRF910SA



الأبعاد (داخلية): 898 x 500 x 160mm (WxDxH)

الأبعاد (خارجية): 900 x 500 x 160mm (WxDxH)



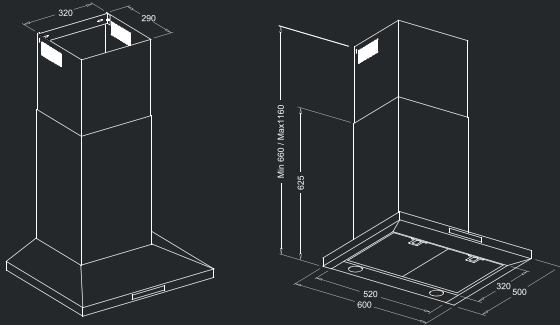


60 سم شفاط بمدخنة مدمج

FRC614SC



DIMENSIONS: 600 x 500 x 660/1160mm (WxDxH)

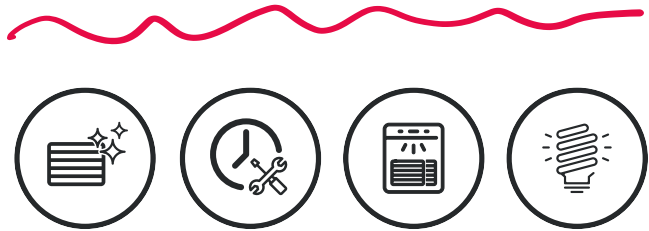
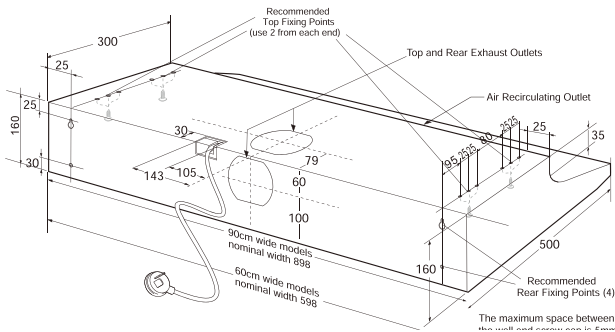


60 سم شفاط مدمج

FRF610SA



الأبعاد (داخلية): 598 x 500 x 160mm (WxDxH)
الأبعاد (خارجية): 600 x 500 x 160mm (WxDxH)



مميزات شفاطات المطبخ

ضمان التهوية السريعة والفعالة بأهدأ عملية استخراج عالية السرعة. مع مجموعة من التصميمات الأنيقة والوظيفية، ستتكامل شفاطاتنا بشكل جميل مع مطبخك مما يسمح لك بالاستمتاع بالهدوء أثناء تحضير أطباقك المفضلة.





تدفق هواء عالي

تتيح شفاطاتنا معدلات شفط عالية تضمن خلو مطبخك من روائح وأبخرة الطهي والحرارة الزائدة في أقل وقت ممكن.



فلاتر سهلة التنظيف

لكي تنعم بالراحة وسهولة الاستخدام، تتميز شفاطاتنا بفلاتر شبكية دقيقة من الألومنيوم سهلة الإزالة ويمكن غسلها في غسالة الأطباق أو يدويًا حتى تحافظ على مظهر شفاطك وقوة أدائه بدون مجهود يُذكر.

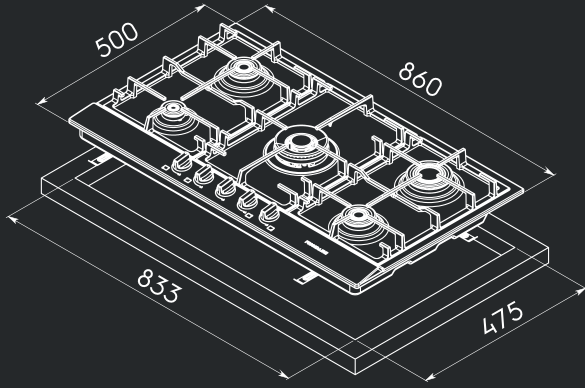
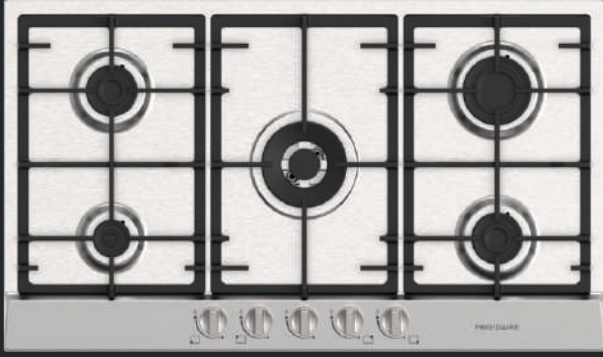


محرك مزدوج الشفراوات

يضمن محرك النصل المزدوج القوي أقصى قدر من استخراج البخار والأبخرة غير المرغوب فيها عند الطهي.



44 نشأة العلامة التجارية



90 سم

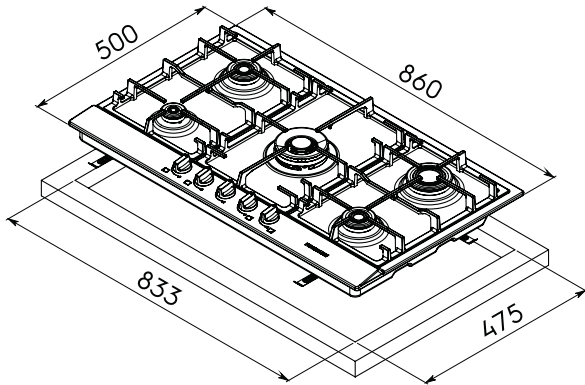
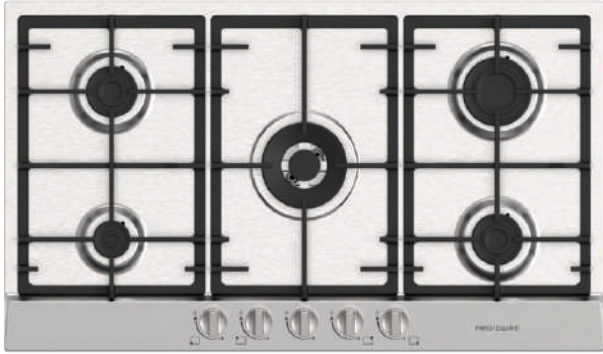
موقد غاز

FGH96524XS



الأبعاد (داخلية): 884 x 475 x 30mm (WxDxH)

الأبعاد (خارجية): 860 x 500 x 4mm (WxDxH)



90 سم

موقد غاز

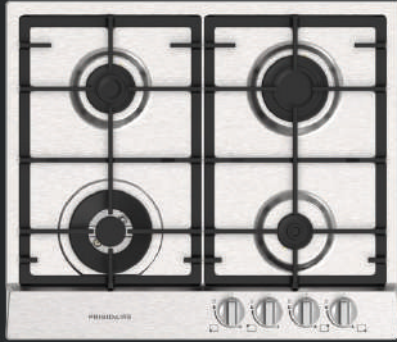
FGH96524XS



الأبعاد (داخلية): 833 x 475 x 30mm (WxDxH)

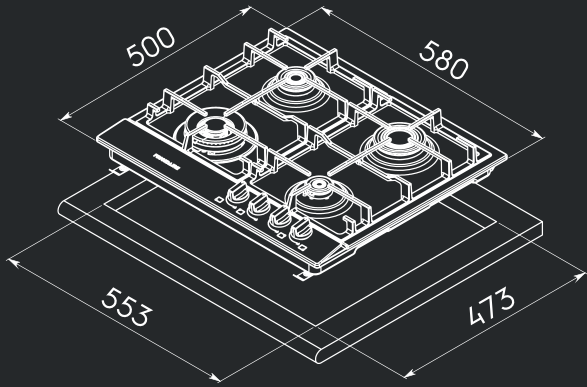
الأبعاد (خارجية): 860 x 500 x 4mm (WxDxH)





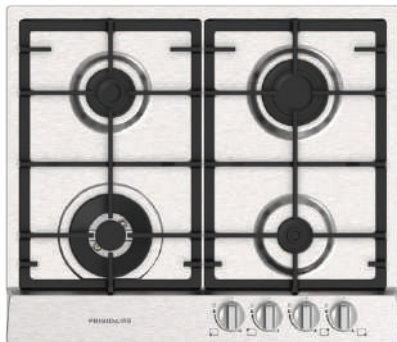
60 سم موقد غاز

FGH66524XS



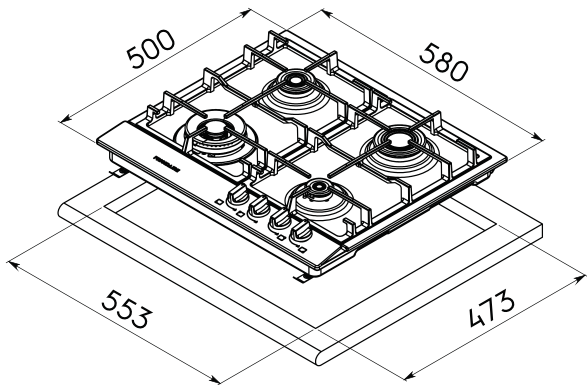
الأبعاد (داخلية): 553 x 473 x 30mm (WxDxH)

الأبعاد (خارجية): 580 x 500 x 4mm (WxDxH)



60 سم موقد غاز

FGH66524XS

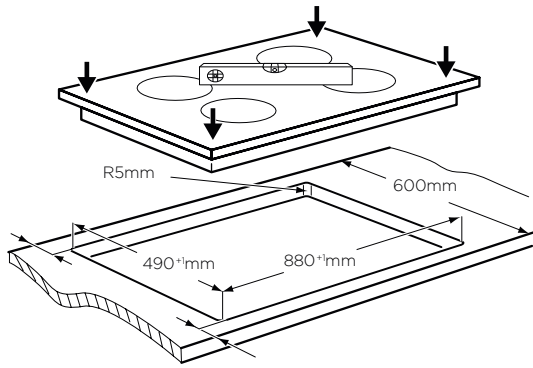
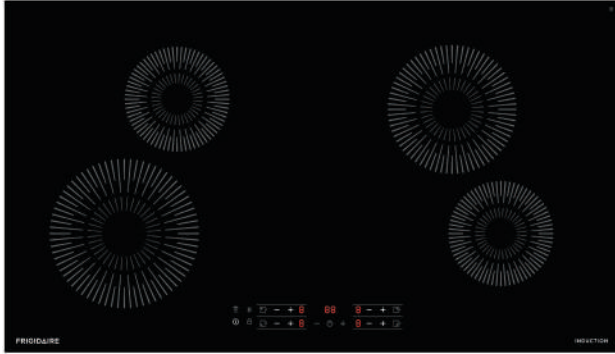


الأبعاد (داخلية): 553 x 473 x 30mm (WxDxH)

الأبعاد (خارجية): 580 x 500 x 4mm (WxDxH)



46 نشأة العلامة التجارية



90 سم

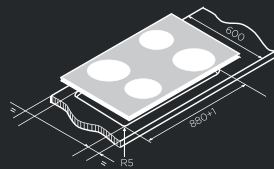
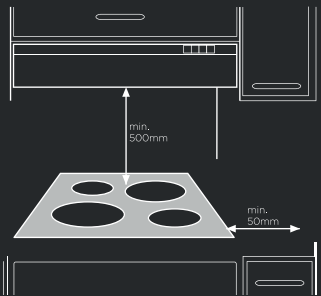
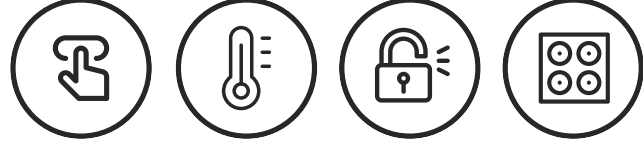
موقد كهرباء

FRI943BC



الأبعاد (داخلية): 880 x 490 x 51mm (WxDxH)

الأبعاد (خارجية): 900 x 515 x 4mm (WxDxH)



90 سم

موقد كهرباء سيراميك

FRC943BC

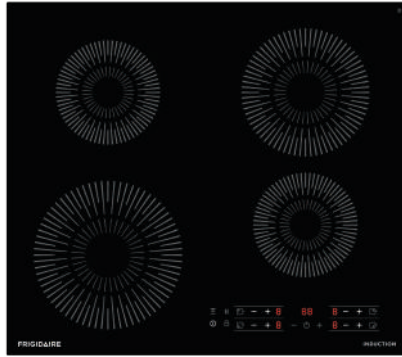


DIMENSIONS (INSIDE): 880 x 490 x 50mm (WxDxH)

DIMENSIONS (OUTSIDE): 900 x 520 x 4mm (WxDxH)



47 مجموعة الأفران



60 سم

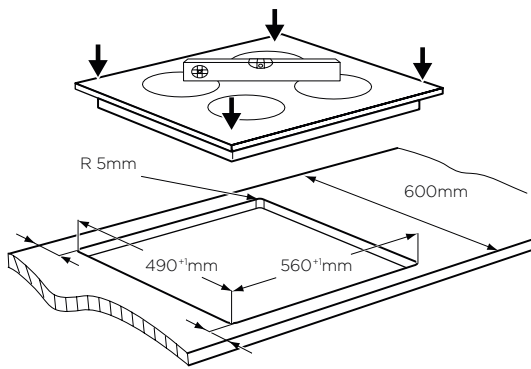
موقد كهرباء

FRI643BC



الأبعاد (داخلية): 560 x 490 x 51mm (WxDxH)

الأبعاد (خارجية): 590 x 520 x 4mm (WxDxH)



60 سم

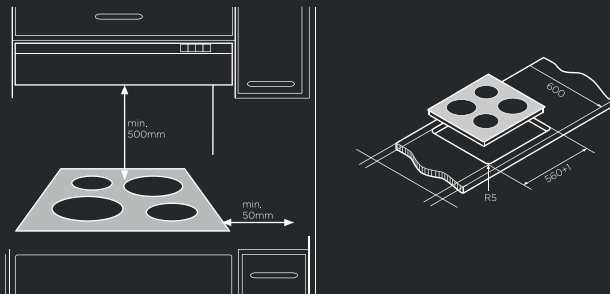
موقد كهرباء سيراميك

FRC643BC



الأبعاد (داخلية): 560 x 490 x 46mm (WxDxH)

الأبعاد (خارجية): 590 x 520 x 4mm (WxDxH)



مميزات المواقد المدفجة

تجمع مجموعتنا الواسعة من المواقد الكهربائية والغازية بين المظهر الجيد الأنيق والميزات العملية لمساعدتك على الطهي بسهولة وثقة كل يوم.





خاصية تعزيز الطاقة

مع خاصية تعزيز الطاقة، يمكنك غليان الماء أو تسخين مقلياتك بسرعة فائقة. وقر الوقت المهدر على الانتظار لمزيد من الابتكار عند تحضير وجباتك المفضلة.



منصب من الحديد الزهر

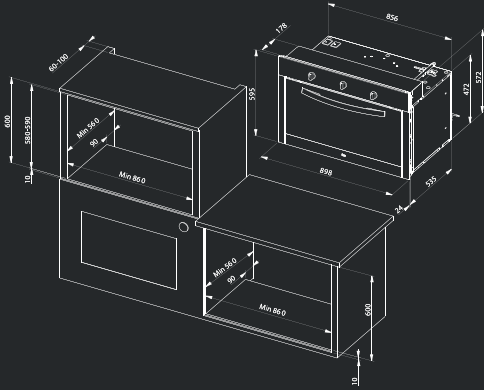
تتميز المنصب المصنوع من الحديد الزهر بتصميم مسطح يضمن الثبات التام لقواعد الأواني لتتمتع بسطح ثابت وآمن للطهي.



سلامة الموقد

أمان المطبخ هي أولويتنا الأولى دائماً. مؤشر الأسطح الساخنة سيمكنك من التأكد من حالة حرارة لوح التسخين في أي وقت.

نشأة العلامة التجارية 50



90 سم فرن غاز مدمج

FRG912SC



الأبعاد (داخلية): 860 x 560 x 575mm (WxDxH)

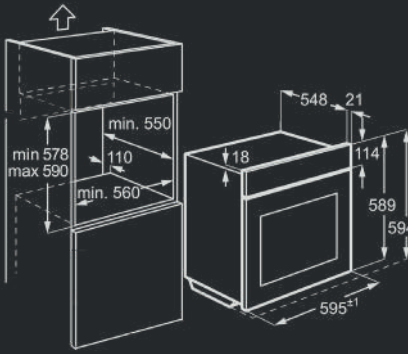
الأبعاد (خارجية): 898 x 569 x 594mm (WxDxH)



مساحة كافية لكل العائلة

سعة هائلة للمزيد من الطعام
في وقت أقل.

51 مجموعة الأفران

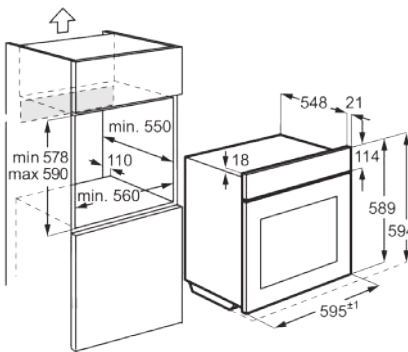


60 سم فرن مدمج متعدد الوظائف

FRG612SC



الأبعاد (داخلية): 560 x 550 x 600mm (WxDxH)
الأبعاد (خارجية): 594 x 569 x 594mm (WxDxH)



60 سم فرن غاز مدمج

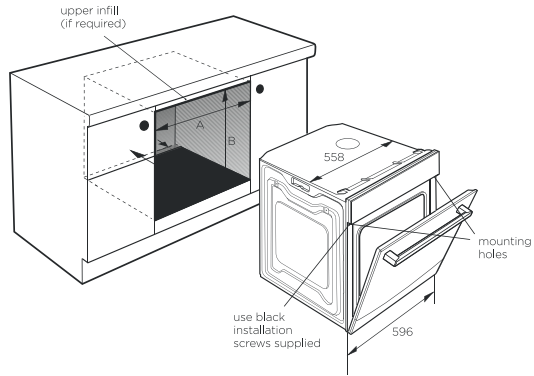
FRG612SC



الأبعاد (داخلية): 600 x 581 x 600mm (WxDxH)
الأبعاد (خارجية): 596 x 572 x 597mm (WxDxH)



52 نشأة العلامة التجارية



	A	B	C	D
Flush fit	600	600	581min	20
Proud fit	565	590	560min	20

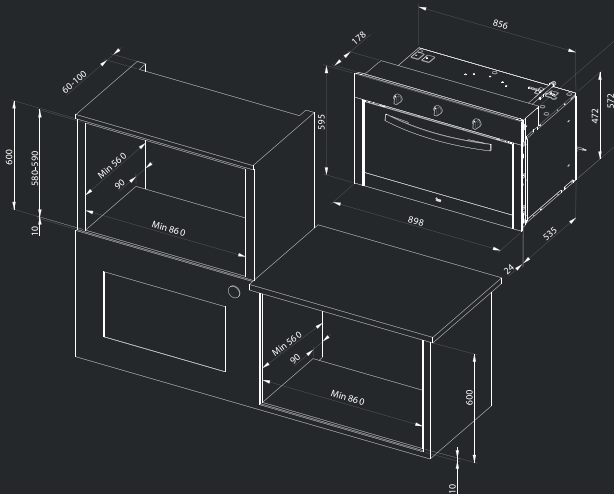
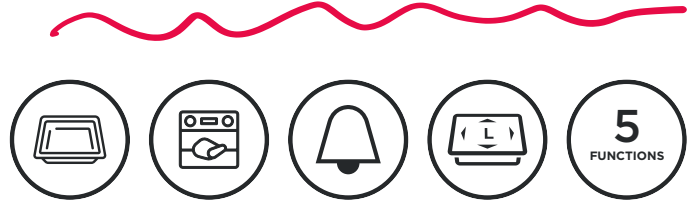
60 سم

فرن مدمج متعدد الوظائف

FRVE614SC



الأبعاد (داخلية): 600 x 581 x 600mm (WxDxH)
الأبعاد (خارجية): 596 x 572 x 597mm (WxDxH)



90 سم

فرن غاز مدمج

FRG912SC



الأبعاد (داخلية): 870 x 545 x 580mm (WxDxH)
الأبعاد (خارجية): 895 x 540 x 597mm (WxDxH)



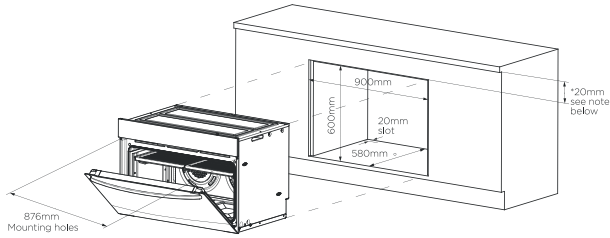


مخبوزة بشكل

مثالي

مع SteamBake، يمكنك الحصول على
مخبزك الخاص في المنزل مع عجينة
مقرمشة و رقيقة بلمسة زر واحدة.





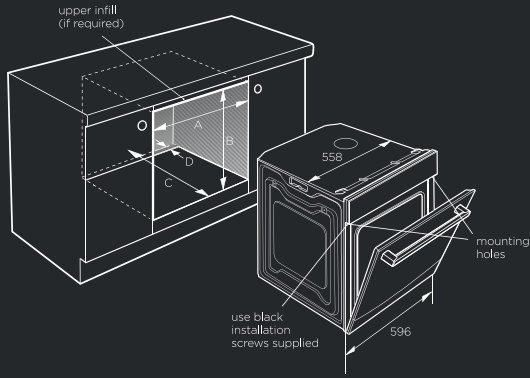
90 سم

فرن مدمج متعدد الوظائف بخاصية التنظيف بالتحلل الحراري

FRVEP916SC



الأبعاد (داخلية): 870 x 545 x 580mm (WxDxH)
الأبعاد (خارجية): 895 x 540 x 597mm (WxDxH)



	A	B	C	D
Flush fit	600	600	581mm	20
Proud fit	565	590	560mm	20

60 سم

فرن مدمج متعدد الوظائف بخاصية التنظيف بالتحلل الحراري

FRVEP615SC



الأبعاد (داخلية): 600 x 581 x 600mm (WxDxH)
الأبعاد (خارجية): 596 x 572 x 597mm (WxDxH)



55 مجموعة الأفران



90 سم

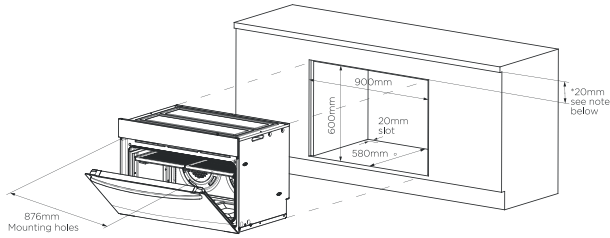
فرن مدمج متعدد الوظائف

FRVE915SCA



الأبعاد (داخلية): 870 x 545 x 580mm (WxDxH)

الأبعاد (خارجية): 895 x 540 x 597mm (WxDxH)



DI
DI



60 سم

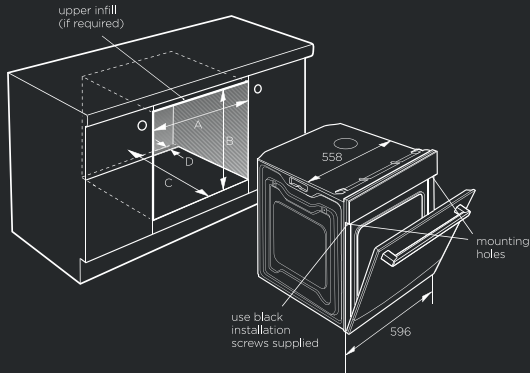
فرن مدمج متعدد الوظائف

FRVE615SC



الأبعاد (داخلية): 600 x 581 x 600mm (WxDxH)

الأبعاد (خارجية): 596 x 572 x 597mm (WxDxH)



	A	B	C	D
Flush fit	600	600	581min	20
Proud fit	565	590	560min	20

مميزات الأفران المدمجة

تم تصميم مجموعة الأفران المدمجة لدينا لمنحك أقصى قدر من التنوع في المطبخ. مثالية عند طهي وجبة لذيذة للعائلة، أو اختبار وصفتك المفضلة.





مقلاة هوائية

حضر أطعمة صحية وشهية في فرنك، حيث يمكنك الاستمتاع بالمذاق الشهى دون الشعور بالذنب. تتيح لك المقلاة الهوائية تحضير وجبات صحية ولذيذة في فرنك لجميع أفراد الأسرة.



التنظيف بالتحلل الحراري

يعمل الفرن بدرجة حرارة شديدة الارتفاع لتحويل الشحوم والأوساخ إلى رماد. فلن يكون عليك إلا مسح ذلك الرماد المترسب.



مروحة مزدوجة XL

يعمل نظام المروحة المزدوجة XL على توزيع الحرارة بالتساوي في جميع أنحاء الفرن، حتى تتمكن من الاستمتاع بخبز أسرع ونتائج لذيذة كل مرة.





الجميع يعرفون قيمة المنتجات الأمريكية. وذلك ببساطة لأن المصنّعين الأمريكيين ركزوا كافة جهودهم على مدى قرن من الزمن على تصنيع منتجات متينة وشديدة التحمل يمكن الاعتماد عليها. ولأن هذا التفاني في الصناعة يعتمد بالكامل على الشغف والحماس بدون أدنى قدر من التنازل، فإنه قد أدى إلى تحويل العلامات التجارية الأمريكية إلى أسماء معروفة على مستوى العالم. وتترجع فريجيدير على قمة قائمة العلامات التجارية الأمريكية.



ويرجع هذا التركيز على الجودة إلى تنفيذ جميع الأعمال بما يلبي احتياجات الأسر الأمريكية. فقد كان فريق فريجيدير على دراية بمدى أهمية منتجاته لدى الأسر الأمريكية واعتماد الجميع عليها، وقد تحمل أفراد الفريق تلك المسؤولية بمنتهى الجدية. ومن خلال الابتكار والتفاني في الصناعة والإمكانات الأمريكية الفائقة، أصبح اسم فريجيدير مرتبطًا بالمنتجات طويلة العمر الموثوق فيها، مما جعلها في طليعة العلامات التجارية الأمريكية ورمزًا لجودة التصنيع الأمريكية.

فريجيدير تهتم في المقام الأول بتيسير التمتع بمستوى معيشي أفضل لجميع الأسر كل يوم.

نفخر بكوننا العلامة التجارية الرائدة طوال 100 عام
الماضية للأجهزة المنزلية التي تعتمد عليها الأسر عن
طريق إتاحة ابتكارات تلبي كافة الاحتياجات.





دائمًا ما نفخر بروح الابتكار التي نتحلى
بها، بدءًا من تصميم أول ثلاجة منزلية
ووصولًا إلى توفير المنتجات المنزلية
الأساسية لمساعدتك على مواجهة
تحديات الحياة اليومية. وهذا يعني أننا
نقدم منتجات مرنة سهلة الاستخدام
توفر الوقت وتوفر نتائج رائعة تسعد
بها كل يوم.

FRIGIDAIRE®



المجموعة المدمجة